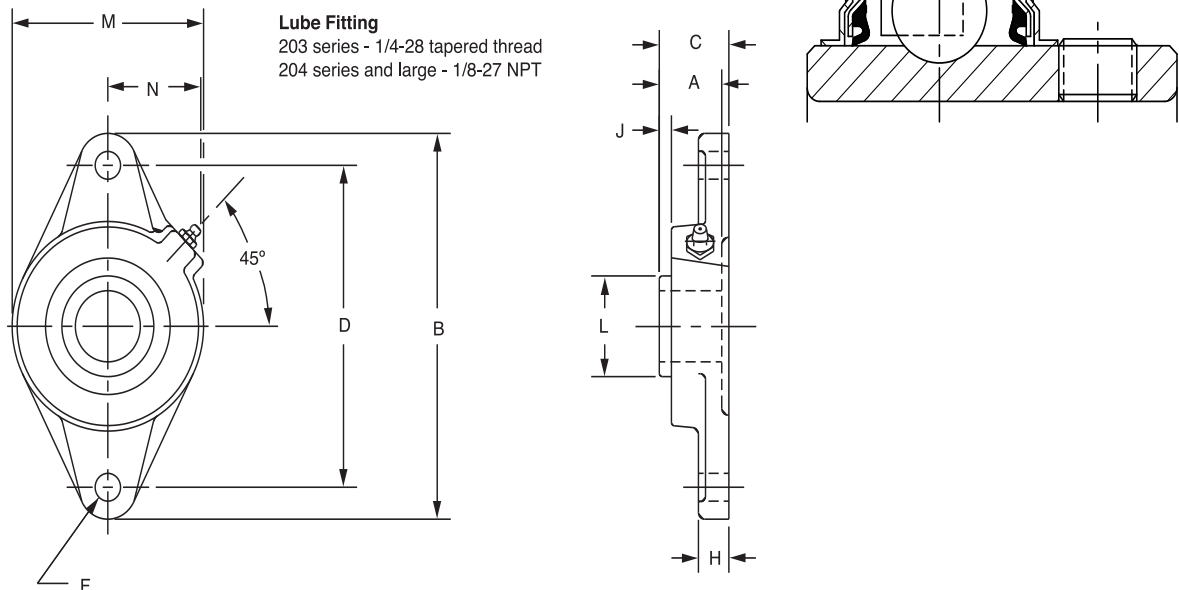




SELECTION/DIMENSIONS

Setscrew Ball Bearings SC NORMAL DUTY 2-BOLT FLANGE BEARINGS



Series	Shaft Size	Standard		No-Lube/Sealed for Life (-NL)	
		Part No.	Description	Part No.	Description
203	1/2	124198	F2B-SC-008	@	F2B-SC-008-NL
	5/8	124199	F2B-SC-010	124256	F2B-SC-010-NL
	17mm	125875	F2B-SC-17M	@	F2B-SC-17M-NL
204	1/2	124166	F2B-SC-008L	052220	F2B-SC-008L-NL
	5/8	124167	F2B-SC-010L	124176	F2B-SC-010L-NL
	3/4	124170	F2B-SC-012	124175	F2B-SC-012-NL
	20mm	125876	F2B-SC-20M	050119	F2B-SC-20M-NL
205	7/8	124171	F2B-SC-014	126516	F2B-SC-014-NL
	15/16	124172	F2B-SC-015	073662	F2B-SC-015-NL
	1	124173	F2B-SC-100	124174	F2B-SC-100-NL
	25mm	125877	F2B-SC-25M	124785	F2B-SC-25M-NL
206	1-1/16	124410	F2B-SC-101	@	F2B-SC-101-NL
	1-1/8	124274	F2B-SC-102	065766	F2B-SC-102-NL
	1-3/16	124275	F2B-SC-103	124614	F2B-SC-103-NL
	1-1/4	123172	F2B-SC-104S	064656	F2B-SC-104S-NL
	30mm	125878	F2B-SC-30M	126102	F2B-SC-30M-NL
207	1-1/4	124276	F2B-SC-104	126518	F2B-SC-104-NL
	1-5/16	124411	F2B-SC-105	@	F2B-SC-105-NL
	1-3/8	124277	F2B-SC-106	126519	F2B-SC-106-NL
	1-7/16	124278	F2B-SC-107	124618	F2B-SC-107-NL
	35mm	125879	F2B-SC-35M	067663	F2B-SC-35M-NL

@Assembled to order

FEATURES/BENEFITS PAGE B4-3	HOW TO ORDER/NOMENCLATURE PAGE B4-5	SELECTION PAGE B4-6	ACCESSORIES PAGE B4-98
--------------------------------	----------------------------------------	------------------------	---------------------------

SELECTION/DIMENSIONS



Setscrew Ball Bearings SC NORMAL DUTY 2-BOLT FLANGE BEARINGS

Bearing Reference Guide

ULTRA KLEEN

E-Z KLEEN

Extreme Duty

Setscrew Ball Bearing

GRIP TIGHT

D-LOK Ball Bearing

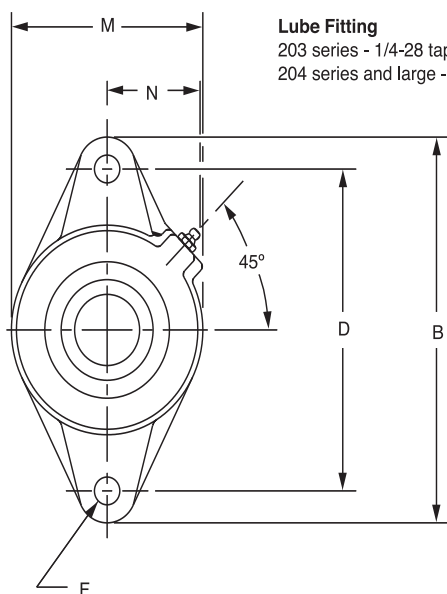
Series	Shaft Size	Weight lbs. kgs.	A	B	C	D	F Bolt Dia.	H	J	L	M	N
203	1/2	0.8	1.00	3.88	1.17	3.00	3/8	0.38	0.32	0.96	2.13	1.13
	5/8	0.7										
	17mm	0.3	25.4	98.6	29.7	76.2	M10	9.7	8.1	24.4	54.1	28.7
204	1/2	1.6	1.23	4.41	1.34	3.53	3/8	0.50	0.36	1.12	2.38	1.50
	5/8	1.5										
	3/4	1.4										
	20mm	0.5	31.2	112.0	34.0	89.7	M10	12.7	9.1	28.4	60.5	38.1
205	7/8	1.6	1.34	4.88	1.37	3.89	7/16	0.52	0.42	1.32	2.75	1.44
	15/16	1.5										
	1	1.4										
	25mm	0.6	34.0	124.0	34.8	98.8	M10	13.2	10.7	33.5	69.9	36.6
206	1-1/16	2.3	1.52	5.56	1.56	4.59	7/16	0.50	0.49	1.57	3.13	1.56
	1-1/8	2.2										
	1-3/16	2.1										
	1-1/4	2.0										
	30mm	1.0	38.6	141.2	39.6	116.7	M10	12.7	12.4	39.9	79.5	39.6
207	1-1/4	3.5	1.71	6.13	1.75	5.12	1/2	0.56	0.53	1.84	3.75	1.84
	1-5/16	3.4										
	1-3/8	3.2										
	1-7/16	3.1										
	35mm	1.5	43.4	155.7	44.5	130.0	M12	14.2	13.5	46.7	95.3	46.7

FEATURES/BENEFITS PAGE B4-3	HOW TO ORDER/NOMENCLATURE PAGE B4-5	SELECTION PAGE B4-6	ACCESSORIES PAGE B4-98
--------------------------------	----------------------------------------	------------------------	---------------------------

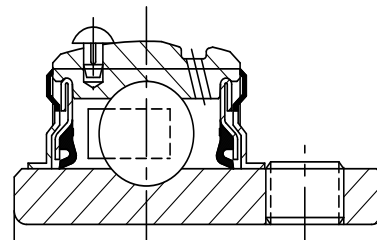
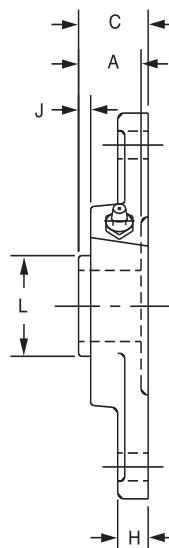


SELECTION/DIMENSIONS

Setscrew Ball Bearings SC NORMAL DUTY 2-BOLT FLANGE BEARINGS



Lube Fitting
203 series - 1/4-28 tapered thread
204 series and large - 1/8-27 NPT



Series	Shaft Size	Standard		No-Lube/Sealed for Life (-NL)	
		Part No.	Description	Part No.	Description
208	1-1/2	124268	F2B-SC-108	052011	F2B-SC-108-NL
	1-5/8	124412	F2B-SC-110	@	F2B-SC-110-NL
	40mm	125880	F2B-SC-40M	126042	F2B-SC-40M-NL
209	1-5/8	125171	F2B-SC-110L	@	F2B-SC-110L-NL
	1-11/16	124279	F2B-SC-111	067666	F2B-SC-111-NL
	1-3/4	124413	F2B-SC-112	126521	F2B-SC-112-NL
	1-13/16	124280	F2B-SC-113	067019	F2B-SC-113-NL
	45mm	125881	F3B-SC-45M	@	F2B-SC-45M-NL
210	1-15/16	124269	F2B-SC-115	126522	F2B-SC-115-NL
	2	124270	F2B-SC-200	126523	F2B-SC-200-NL
	50mm	125882	F2B-SC-50M	124282	F2B-SC-50M-NL
211	2	126293	F2B-SCM-200	065595	F2B-SCM-200-NL
	2-3/16	124034	F2B-SC-203	067959	F2B-SC-203-NL
	2-1/4	124373	F2B-SC-204	@	F2B-SC-204-NL
	55mm	124942	F2B-SC-55M	@	F2B-SC-55M-NL
212	2-1/4	@	F2B-SCM-204	093733	F2B-SCM-204-NL
	2-7/16	053175	F2B-SC-207	049437	F2B-SC-207-NL
	60mm	053883	F2B-SC-60M	@	F2B-SC-60M-NL

@Assembled to order

FEATURES/BENEFITS PAGE B4-3	HOW TO ORDER/NOMENCLATURE PAGE B4-5	SELECTION PAGE B4-6	ACCESSORIES PAGE B4-98
--------------------------------	----------------------------------------	------------------------	---------------------------

Bearing Reference Guide

ULTRA KLEEN

E-Z KLEEN

Extreme Duty

Setscrew Ball Bearing

GRIP TIGHT

D-LOK Ball Bearing

SELECTION/DIMENSIONS



Setscrew Ball Bearings SC NORMAL DUTY 2-BOLT FLANGE BEARINGS

Bearing Reference Guide

ULTRA KLEEN

E-Z KLEEN

Extreme Duty

Setscrew Ball Bearing

GRIP TIGHT

D-LOK Ball Bearing

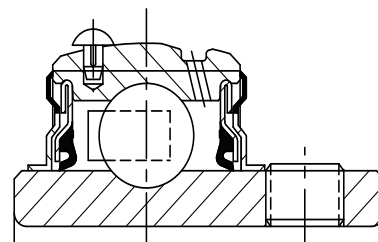
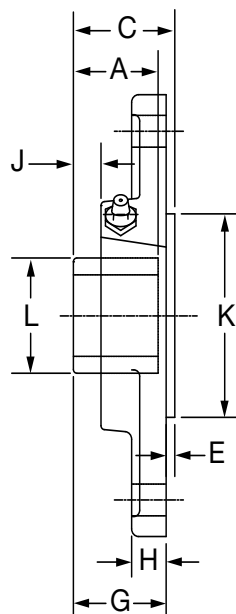
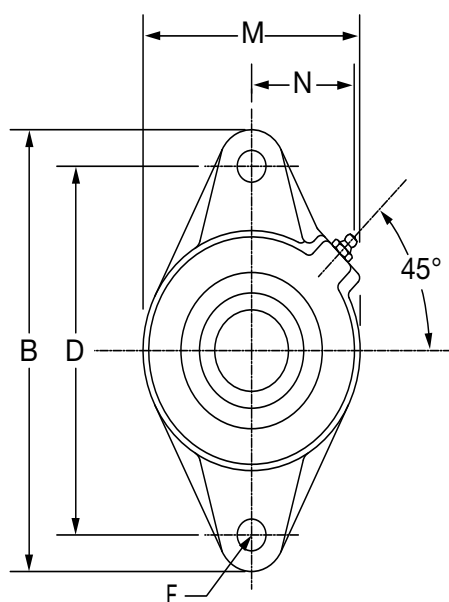
Series	Shaft Size	Weight lbs. kgs.	A	B	C	D	F Bolt Dia.	H	J	L	M	N
208	1-1/2	4.1	1.94	6.75	1.97	5.66	1/2	0.56	0.63	2.05	4.13	1.83
	1-5/8	4.0										
	40mm	1.8	49.3	171.5	50.0	143.8	M12	14.2	16.0	52.1	104.9	46.5
209	1-5/8	5.2	1.94	7.06	1.99	5.84	1/2	0.63	0.59	2.22	4.38	1.91
	1-11/16	5.0										
	1-3/4	4.9										
	1-13/16	4.7										
210	45mm	2.2	49.3	179.3	50.5	148.3	M14	16.0	15.0	56.4	111.3	48.5
	1-15/16	5.4	1.94	7.44	2.02	6.19	1/2	0.63	0.55	2.43	4.56	2.03
	2	5.2										
211	50mm	2.5	49.3	189.0	51.3	157.2	M16	16.0	14.0	61.7	115.8	51.6
	2	6.7	2.22	8.63	2.28	7.25	5/8	0.67	0.68	2.71	5.25	2.27
	2-3/16	6.5										
	2-1/4	6.3										
212	55mm	3.0	56.4	219.2	57.9	184.2	M16	17.0	17.3	68.8	133.4	57.7
	2-1/4	7.4	2.31	9.81	2.38	7.96	5/8	0.81	0.66	2.97	5.50	2.47
	2-7/16	7.0										
	60mm	3.4	58.7	249.2	60.5	202.1	M22	20.6	16.8	75.4	139.7	62.7

FEATURES/BENEFITS PAGE B4-3	HOW TO ORDER/NOMENCLATURE PAGE B4-5	SELECTION PAGE B4-6	ACCESSORIES PAGE B4-98
--------------------------------	----------------------------------------	------------------------	---------------------------



SELECTION/DIMENSIONS

Setscrew Ball Bearings SC NORMAL DUTY 2-BOLT PILOTED FLANGE BEARINGS



Series	Shaft Size	Part No.	Description
204	1/2	@	F2BZ-SC-008L
	5/8	064775	F2BZ-SC-010L
	3/4	062648	F2BZ-SC-012
	20mm	130367	F2BZ-SC-20M
205	7/8	068915	F2BZ-SC-014
	15/16	@	F2BZ-SC-015
	1	056929	F2BZ-SC-100
	25mm	130368	F2BZ-SC-25M
206	1-1/8	049926	F2BZ-SC-102
	1-3/16	064480	F2BZ-SC-103
	1-1/4	064361	F2BZ-SC-104S
	30mm	130369	F2BZ-SC-30M
207	1-1/4	064089	F2BZ-SC-104
	1-3/8	068937	F2BZ-SC-106
	1-7/16	065565	F2BZ-SC-107
	35mm	130370	F2BZ-SC-35M
208	1-1/2	062686	F2BZ-SC-108
	1-5/8	@	F2BZ-SC-110
	40mm	130371	F2BZ-SC-40M
209	1-5/8	@	F2BZ-SC-110L
	1-11/16	068839	F2BZ-SC-111
	1-3/4	@	F2BZ-SC-112
	45mm	130372	F2BZ-SC-45M
210	1-15/16	056845	F2BZ-SC-115
	2	074396	F2BZ-SC-200
	50mm	130373	F2BZ-SC-50M

@ Assembled to order

FEATURES/BENEFITS PAGE B4-3	HOW TO ORDER/NOMENCLATURE PAGE B4-5	SELECTION PAGE B4-6	ACCESSORIES PAGE B4-98
--------------------------------	----------------------------------------	------------------------	---------------------------

Bearing Reference Guide

ULTRA KLEEN

E-Z KLEEN

Extreme Duty

Setscrew Ball Bearing

GRIP TIGHT

D-LOK Ball Bearing

SELECTION/DIMENSIONS



Setscrew Ball Bearings

SC NORMAL DUTY 2-BOLT PILOTED FLANGE BEARINGS

Bearing Reference Guide

ULTRA KLEEN

E-Z KLEEN

Extreme Duty

Setscrew Ball Bearing

GRIP TIGHT

D-LOK Ball Bearing

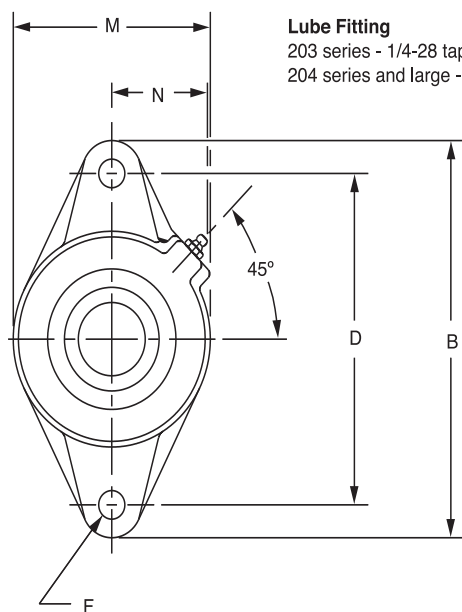
Series	Shaft Size	Weight lbs kg	A	B	C	D	E	F Bolt Dia	G	H	J	K	L	M	N
204	1/2	1.2	1.23	4.41	1.39	3.53	0.14	3/8	1.26	0.50	0.41	2.165/2.163	1.12	2.38	1.50
	5/8	1.2													
	3/4	1.1													
	20mm	0.3	31.2	112.0	35.3	89.7	3.6	M10	32.0	12.7	10.4	54.99/54.94	28.4	60.5	38.1
205	7/8	1.4	1.34	4.88	1.51	3.89	0.14	7/16	1.37	0.52	0.42	2.362/2.360	1.32	2.75	1.44
	15/16	1.4													
	1	1.4													
	25mm	0.6	34.0	124.0	38.4	98.8	3.6	M10	34.8	13.2	10.7	59.99/59.94	33.5	69.9	36.6
206	1-1/8	1.8	1.52	5.56	1.68	4.59	0.12	7/16	1.56	0.50	0.49	3.150/3.148	1.57	3.13	1.56
	1-3/16	1.8													
	1-1/4	1.8													
	30mm	0.8	38.6	141.2	42.7	116.7	3.0	M10	39.6	12.7	12.4	80.01/79.96	39.9	79.5	39.6
207	1-1/4	2.7	1.71	6.13	1.91	5.12	0.16	1/2	1.75	0.56	0.53	3.543/3.541	1.84	3.75	1.84
	1-3/8	2.6													
	1-7/16	2.6													
	35mm	1.2	43.4	155.7	48.5	130.0	4.1	M12	44.5	14.2	13.5	89.99/89.94	46.7	95.3	46.7
208	1-1/2	3.9	1.94	6.75	2.13	5.66	0.16	1/2	1.98	0.56	0.63	3.937/3.935	2.05	4.13	1.83
	1-5/8	3.8													
	40mm	1.7	49.3	171.5	54.1	143.8	4.1	M12	50.3	14.2	16.0	100.00/99.95	52.1	104.9	46.5
209	1-5/8	4.2	1.94	7.06	2.15	5.84	0.16	1/2	1.99	0.63	0.59	4.134/4.132	2.22	4.38	1.91
	1-11/16	4.1													
	1-3/4	4.1													
	45mm	2.5	49.3	179.3	54.6	148.3	4.1	M14	50.5	16.0	15.0	105.00/104.95	56.4	111.3	48.5
210	1-15/16	3.6	1.94	7.44	2.18	6.19	0.16	1/2	2.02	0.63	0.55	4.134/4.132	2.43	4.56	2.03
	2	4.4													
	50mm	2.6	49.3	189.0	55.4	157.2	4.1	M16	51.3	16.0	14.0	105.00/104.95	61.7	115.8	51.6

FEATURES/BENEFITS PAGE B4-3	HOW TO ORDER/NOMENCLATURE PAGE B4-5	SELECTION PAGE B4-6	ACCESSORIES PAGE B4-98
--------------------------------	----------------------------------------	------------------------	---------------------------

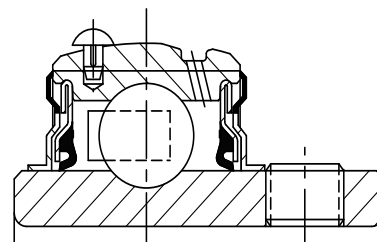
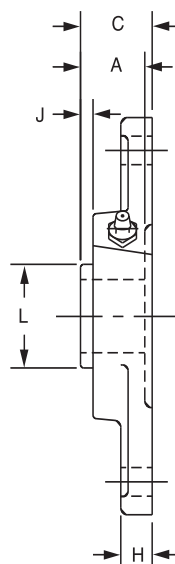


SELECTION/DIMENSIONS

Setscrew Ball Bearings SCM MEDIUM DUTY 2-BOLT FLANGE BEARINGS



Lube Fitting
203 series - 1/4-28 tapered thread
204 series and large - 1/8-27 NPT



Series	Shaft Size	Standard		Sealed for Life	
		Part No.	Description	Part No.	Description
206	1	126284	F2B-SCM-100	@	F2B-SCM-100-NL
	25mm	125954	F2B-SCM-25M	@	F2B-SCM-25M-NL
207	1-3/16	126285	F2B-SCM-103	@	F2B-SCM-103-NL
	1-1/4	124276	F2B-SC-104	126518	F2B-SC-104-NL
	30mm	125955	F2B-SCM-30M	@	F2B-SCM-30M-NL
208	1-7/16	126287	F2B-SCM-107	@	F2B-SCM-107-NL
	35mm	125956	F2B-SCM-35M	@	F2B-SCM-35M-NL
209	1-1/2	126288	F2B-SCM-108	126536	F2B-SCM-108-NL
	1-5/8	125171	F2B-SC-110L	@	F2B-SC-110L-NL
	40mm	125957	F2B-SCM-40M	067674	F2B-SCM-40M-NL
210	1-11/16	126289	F2B-SCM-111	@	F2B-SCM-111-NL
	1-3/4	126290	F2B-SCM-112	@	F2B-SCM-112-NL
	45mm	125958	F2B-SCM-45M	@	F2B-SCM-45M-NL
211	1-15/16	126292	F2B-SCM-115	@	F2B-SCM-115-NL
	2	126293	F2B-SCM-200	065595	F2B-SCM-200-NL
	50mm	125960	F2B-SCM-50M	@	F2B-SCM-50M-NL
212	2-3/16	062746	F2B-SCM-203	@	F2B-SCM-203-NL
	2-1/4	073492	F2B-SCM-204	@	F2B-SCM-204-NL
	55mm	@	F2B-SCM-55M	@	F2B-SCM-55M-NL

@ Assembled to order

FEATURES/BENEFITS PAGE B4-3	HOW TO ORDER/NOMENCLATURE PAGE B4-5	SELECTION PAGE B4-6	ACCESSORIES PAGE B4-98
--------------------------------	----------------------------------------	------------------------	---------------------------

Bearing Reference Guide

ULTRA KLEEN

E-Z KLEEN

Extreme Duty

Setscrew Ball Bearing

GRIP TIGHT

D-LOK Ball Bearing

SELECTION/DIMENSIONS



Setscrew Ball Bearings SCM MEDIUM DUTY 2-BOLT FLANGE BEARINGS

Bearing Reference Guide

ULTRA KLEEN

E-Z KLEEN

Extreme Duty

Setscrew Ball Bearing

GRIP TIGHT

D-LOK Ball Bearing

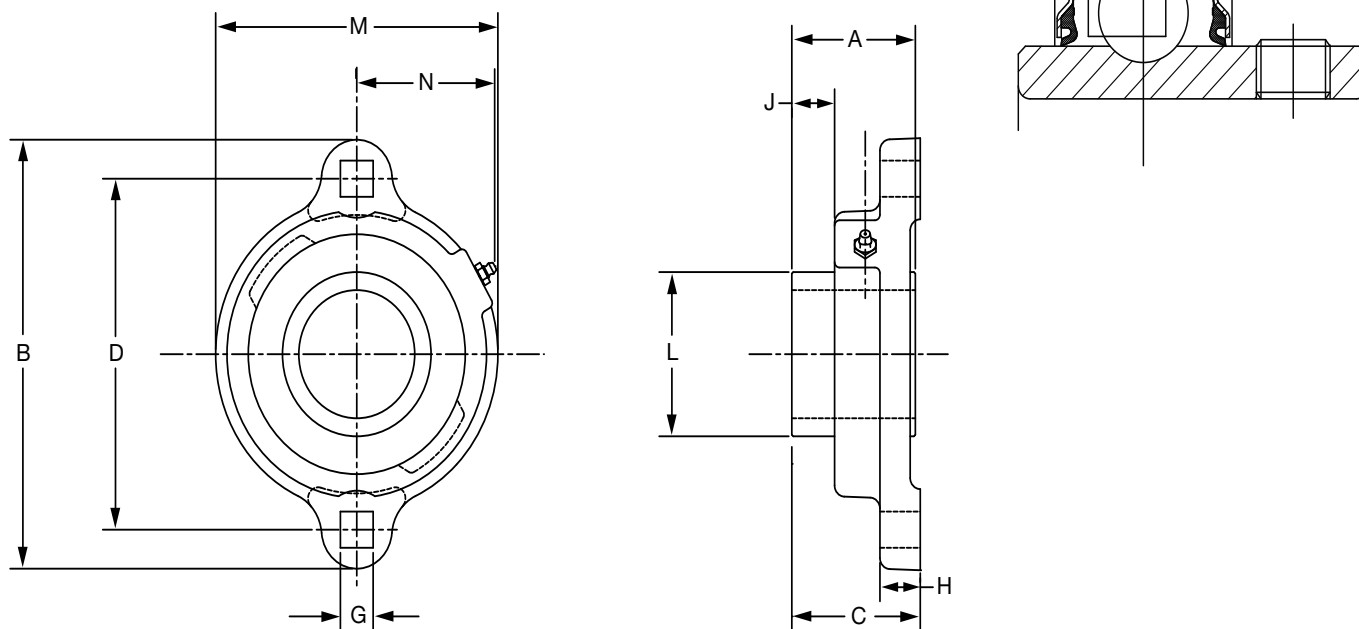
Series	Shaft Size	Weight lbs. kgs.	A	B	C	D	F Bolt Dia.	H	J	L	M	N
206	1	2.4	1.52	5.56	1.56	4.59	7/16	0.50	0.49	1.57	3.13	1.56
	25mm	1.0	38.6	141.2	39.6	116.7	M10	12.7	12.4	39.9	79.5	39.6
207	1-3/16	3.6	1.71	6.13	1.75	5.12	1/2	0.56	0.53	1.84	3.75	1.84
	1-1/4	3.5										
	30mm	1.6	43.4	155.7	44.5	130.0	M12	14.2	13.5	46.7	95.3	46.7
208	1-7/16	4.1	1.94	6.75	1.98	5.66	1/2	0.56	0.63	2.05	4.13	1.83
	35mm	1.9	49.3	171.5	50.3	143.8	M12	14.2	16.0	52.1	104.9	46.5
209	1-1/2	5.3	1.94	7.06	1.99	5.84	1/2	0.63	0.59	2.22	4.38	1.91
	1-5/8	5.2										
	40mm	2.3	49.3	179.3	50.5	148.3	M14	16.0	15.0	56.4	111.3	48.5
210	1-11/16	5.8	1.94	7.44	2.02	6.19	1/2	0.63	0.55	2.43	4.56	2.03
	1-3/4	5.6										
	45mm	2.6	49.3	189.0	51.3	157.2	M16	16.0	14.0	61.7	115.8	51.6
211	1-15/16	6.7	2.22	8.63	2.28	7.25	5/8	0.67	0.68	2.71	5.25	2.27
	2	6.5										
	50mm	2.9	56.4	219.2	57.9	184.2	M16	17.0	17.3	68.8	133.4	57.7
212	2-3/16	7.4	2.31	9.81	2.38	7.96	5/8	0.81	0.66	2.97	5.50	2.47
	2-1/4	7.2										
	55mm	3.2	58.7	249.2	60.5	202.1	M22	20.6	16.8	75.4	139.7	62.7

FEATURES/BENEFITS PAGE B4-3	HOW TO ORDER/NOMENCLATURE PAGE B4-5	SELECTION PAGE B4-6	ACCESSORIES PAGE B4-98
--------------------------------	----------------------------------------	------------------------	---------------------------



SELECTION/DIMENSIONS

Setscrew Ball Bearings SC LFT DUTY 2-BOLT FLANGE BEARINGS



Series	Shaft Size	Standard		Sealed for Life (No Lube)	
		Part No.	Description	Part No.	Description
203	1/2	124640	LFT-SC-008	124660	LFT-SC-008-NL
	5/8	124641	LFT-SC-010	124661	LFT-SC-010-NL
	17mm	130362	LFT-SC-17M	@	LFT-SC-17M-NL
204	3/4	124642	LFT-SC-012	124662	LFT-SC-012-NL
	20mm	130363	LFT-SC-20M	062260	LFT-SC-20M-NL
205	7/8	124643	LFT-SC-014	124663	LFT-SC-014-NL
	15/16	124644	LFT-SC-015	124664	LFT-SC-015-NL
	1	124645	LFT-SC-100	124665	LFT-SC-100-NL
	25mm	130364	LFT-SC-25M	068996	LFT-SC-25M-NL
206	1-1/16	124646	LFT-SC-101	124666	LFT-SC-101-NL
	1-1/8	124647	LFT-SC-102	124667	LFT-SC-102-NL
	1-3/16	124648	LFT-SC-103	124668	LFT-SC-103-NL
	1-1/4	124649	LFT-SC-104S	124669	LFT-SC-104S-NL
	30mm	130365	LFT-SC-30M	@	LFT-SC-30M-NL
207	1-1/4	124650	LFT-SC-104	124670	LFT-SC-104-NL
	1-5/16	124651	LFT-SC-105	124671	LFT-SC-105-NL
	1-3/8	124652	LFT-SC-106	124672	LFT-SC-106-NL
	1-7/16	124653	LFT-SC-107	124673	LFT-SC-107-NL
	35mm	130366	LFT-SC-35M	@	LFT-SC-35M-NL

* No lube fitting required in the SCLFT NoLube

@ Assembled to order.

FEATURES/BENEFITS PAGE B4-3	HOW TO ORDER/NOMENCLATURE PAGE B4-5	SELECTION PAGE B4-6	ACCESSORIES PAGE B4-98
--------------------------------	----------------------------------------	------------------------	---------------------------

Bearing Reference Guide

ULTRA KLEEN

E-Z KLEEN

Extreme Duty

Setscrew Ball Bearing

GRIP TIGHT

D-LOK Ball Bearing

SELECTION/DIMENSIONS



Setscrew Ball Bearings SC LFT DUTY 2-BOLT FLANGE BEARINGS

Bearing Reference Guide

ULTRA KLEEN

E-Z KLEEN

Extreme Duty

Setscrew Ball Bearing

GRIP TIGHT

D-LOK Ball Bearing

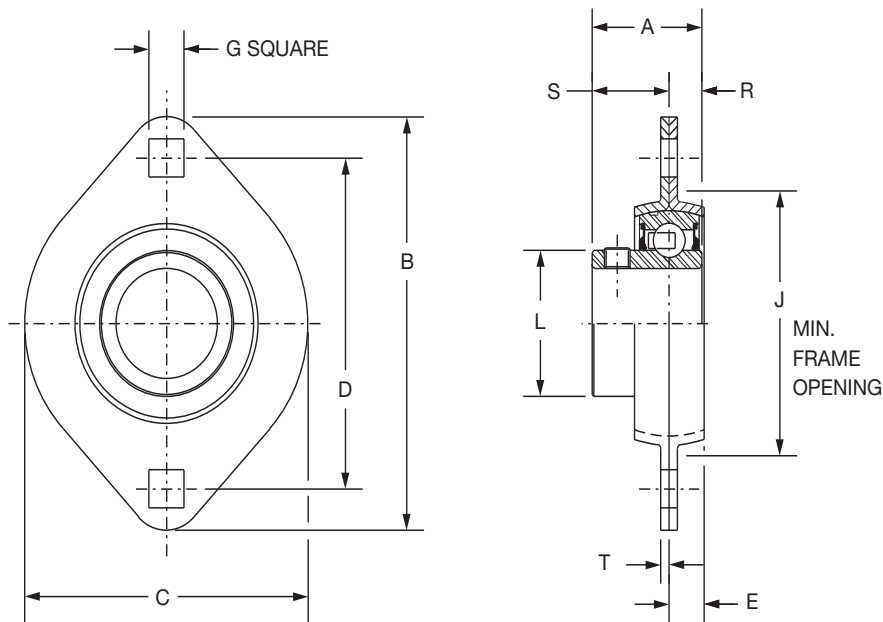
Series	Shaft Size	Weight lbs. kgs.	A	B	C	D	G	H	J	L	M	N
203	1/2	0.60	1.00	3.19	1.05	2.50	0.28	0.38	0.33	0.96	2.13	1.23
	5/8	0.55										
	17mm	0.27	25.4	81.0	26.7	63.5	7.1	9.7	8.4	24.4	54.1	31.2
204	3/4	0.80	1.02	3.56	1.21	2.81	0.34	0.42	0.36	1.12	2.38	1.34
	20mm	0.36	25.9	90.4	30.7	71.4	8.6	10.7	9.1	28.4	60.5	34.0
205	7/8	0.95	1.06	3.75	1.24	3.00	0.34	0.42	0.37	1.32	2.63	1.44
	15/16	0.90										
	1	0.85										
206	25mm	0.43	26.9	95.3	31.5	76.2	8.6	10.7	9.4	33.5	66.8	36.6
	1-1/16	1.50	1.26	4.44	1.45	3.56	0.41	0.47	0.46	1.57	3.25	1.72
	1-1/8	1.45										
	1-3/16	1.40										
207	1-1/4	1.85	1.40	4.82	1.59	3.94	0.41	0.50	0.52	1.84	3.50	1.83
	1-5/16	1.80										
	1-3/8	1.75										
207	1-7/16	1.70										
	35mm	0.81	35.6	122.4	40.4	100.1	10.4	12.7	13.2	46.7	88.9	46.5

FEATURES/BENEFITS PAGE B4-3	HOW TO ORDER/NOMENCLATURE PAGE B4-5	SELECTION PAGE B4-6	ACCESSORIES PAGE B4-98
--------------------------------	----------------------------------------	------------------------	---------------------------



SELECTION/DIMENSIONS

Setscrew Ball Bearings SL LIGHT DUTY 2-BOLT FLANGE BEARINGS



Series	Shaft Size	Part No.	Description
203	1/2	128151	F2B-SL-008
	5/8	128154	F2B-SL-010
	17mm	068789	F2B-SL-17M
204	3/4	128092	F2B-SL-012
	20mm	074287	F2B-SL-20M
205	7/8	128174	F2B-SL-014
	15/16	128175	F2B-SL-015
	1	128093	F2B-SL-100
	25mm	074288	F2B-SL-25M
206	1-1/8	128176	F2B-SL-102
	1-3/16	128094	F2B-SL-103
	1-1/4	128097	F2B-SL-104S
	30mm	@	F2B-SL-30M
207	1-1/4	128095	F2B-SL-104
	1-3/8	128177	F2B-SL-106
	1-7/16	128096	F2B-SL-107
	35mm	068532	F2B-SL-35M

FEATURES/BENEFITS
PAGE B4-3

HOW TO ORDER/NOMENCLATURE
PAGE B4-5

SELECTION
PAGE B4-6

ACCESSORIES
PAGE B4-98

SELECTION/DIMENSIONS



Setscrew Ball Bearings SL LIGHT DUTY 2-BOLT FLANGE BEARINGS

Bearing Reference Guide

ULTRA KLEEN

E-Z KLEEN

Extreme Duty

Setscrew Ball Bearing

GRIP TIGHT

D-LOK Ball Bearing

Series	Shaft Size	Weight lbs. kgs.	A	B	C	D	E	G	J	L	R	S	T
203	1/2	0.45	1.00	3.19	2.31	2.54	0.28	0.28	1.94	0.96	0.36	0.64	0.08
	5/8	0.42											
	17mm	0.20	25.4	81.0	58.7	64.5	7.1	7.1	49.3	24.4	9.1	16.3	2.0
204	3/4	0.55	1.02	3.56	2.63	2.81	0.31	0.34	2.19	1.12	0.29	0.73	0.08
	20mm	0.25	25.9	90.4	66.8	71.4	7.9	8.6	55.6	28.4	7.4	18.5	2.0
205	7/8	0.891	1.06	3.75	2.80	3.00	0.34	0.34	2.38	1.32	0.30	0.76	0.08
	15/16	0.77											
	1	0.65											
	25mm	0.34	26.9	95.3	71.1	76.2	8.6	8.6	60.5	33.5	7.6	19.3	2.0
206	1-1/8	1.05	1.26	4.44	3.31	3.56	0.34	0.41	2.81	1.57	0.35	0.91	0.10
	1-3/16	1.02											
	1-1/4	1.00											
	30mm	0.46	32.0	112.8	84.1	90.4	8.6	10.4	71.4	39.9	8.9	23.1	2.5
207	1-1/4	1.53	1.40	4.94	3.69	3.94	0.44	0.41	3.19	1.84	0.37	1.03	0.10
	1-3/8	1.5											
	1-7/16	1.37											
	35mm	0.67	35.6	125.5	93.7	100.1	11.2	10.4	81.0	46.7	9.4	26.2	2.5

FEATURES/BENEFITS PAGE B4-3	HOW TO ORDER/NOMENCLATURE PAGE B4-5	SELECTION PAGE B4-6	ACCESSORIES PAGE B4-98
--------------------------------	----------------------------------------	------------------------	---------------------------